

# Lube Level SWICHGAGE®

L-6572B  
Revised 06-04  
Catalog Section 15  
(00-02-0057)



## L129 Series

- Check Lube Level Without Shutting Down
- Use On Engines, Pumps, And Compressors
- Combination Indicating Gage with Low and High Limit Switch
- Float Operated

### Description

The L129 Series Lube Level SWICHGAGE® is a combination lube level indicating gage and adjustable low and high limit switches. It provides protection against low oil level or high level caused by overfill or fuel or water seepage into the crankcase.

A 6-3/4 inch (171 mm) deep sight gauge allows you check the condition and level of your oil without shutting down the equipment.

Fingertip adjustable limit contacts, thru 4-7/8 inch (122 mm) range, make it simple to set high and low limit contacts. If the float touches the high or low limit contact, a normally open circuit will be completed which can activate alarms and/or shutdown the equipment.

There are two models in the L129 Series: L129 and L129CK1. The L129 model is designed for grounded, low voltage electrical systems. It features a one-wire-to-ground electrical circuit. The L129CK1 was designed for applications requiring a three-wire, above ground electrical circuit. It features ungrounded contacts and a conduit hub to protect electrical wiring.

### Options are available for both models.

A flow restrictor plug is available that restricts oil flow from the crankcase to the L129 Series switch and vice versa. It is typically used on applications where the engine is not stationary such as marine and mobile equipment.

The L129 Series Lube Level SWICHGAGE®, when properly installed and maintained, can monitor and protect your engines and pumps from improper lubrication level, which can result in extensive damage.

### Applications

The L129 Series is recommended for engines and pumps with larger crankcase capacity. Although designed primarily for stationary engines, the L129 Series is often used in mobile applications such as marine, rail, and some large off-highway trucks.

### Specifications

**Case:** Die Cast Aluminum.

**Lens:** Tempered Glass.

**Maximum Working Pressure:**  
10 psi (68.9 kPa).

**Process Connection:** 1/2 NPT.

**Float Material:** Brass.

**Contact Rating:** 2 A @ 30 VAC/DC, pilot duty.

### Shipping Weight:

L129: 3 lb. (1.4 kg).

L129CK1: 3 lb. 9 oz. (1.6 kg).

### Shipping Dimensions (both models):

12 x 4-1/2 x 4-3/4 in. (305 x 114 x 121 mm).

### Warranty

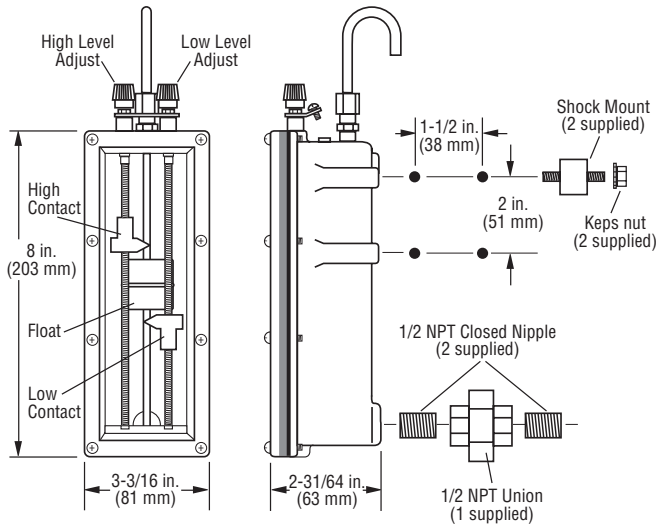
A limited warranty on materials and workmanship is given with this FW Murphy product. A copy of the warranty may be viewed or printed by going to [www.fwmurphy.com/support/warranty.htm](http://www.fwmurphy.com/support/warranty.htm)

\* Products covered by this bulletin comply with EMC Council directive 89/336/EEC regarding electromagnetic compatibility except as noted.

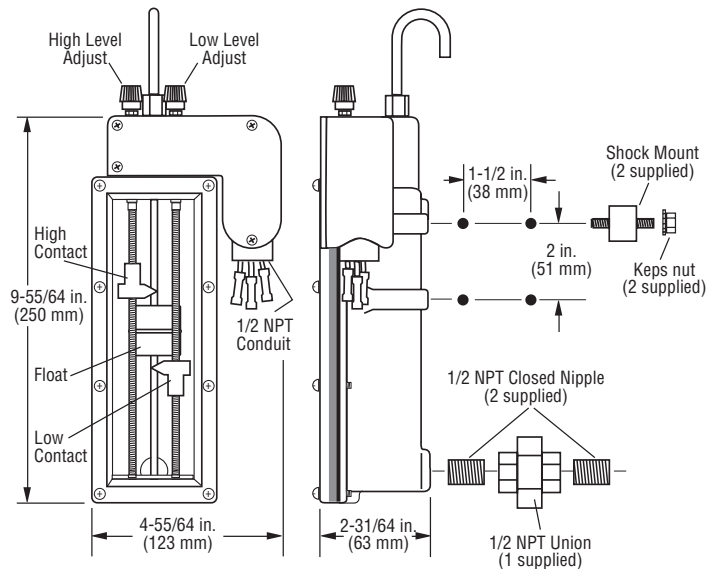


# Dimensions

## L129

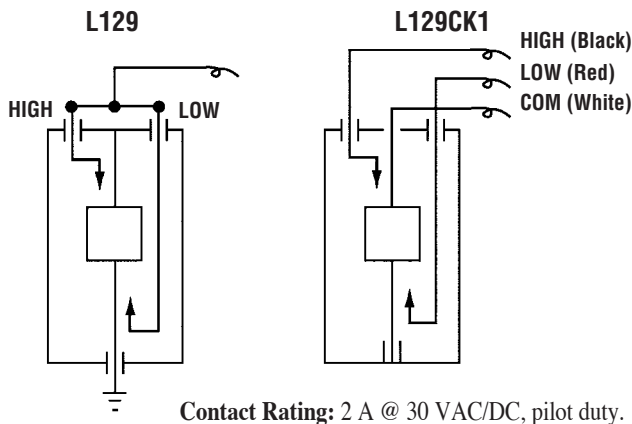


## L129CK1



## Wiring Diagrams

These diagrams are shown with the float in the "full" position.



## Repair Kits

Specify part number.

### L129

- 15000888** Full Repair Kit (less castings and glass ass'y) for date code T2 and later.
- 15000480** Bezel, Glass and Gasket Set for date code W7 and later
- 15000485** Glass and Gasket Set for all date codes
- 15050241** Restrictor plug for all date codes

### L129CK1

- 15000480** Bezel, Glass and Gasket Set for date code W7 and later
- 15000485** Glass and Gasket Set for all date codes
- 15050241** Restrictor plug for all date codes

# MURPHY

**FW Murphy**  
P.O. Box 470248  
Tulsa, Oklahoma 74147 USA  
+1 918 317 4100  
**fax** +1 918 317 4266  
**e-mail** sales@fwmurphy.com  
www.fwmurphy.com

**CONTROL SYSTEMS & SERVICES DIVISION**  
P.O. Box 1819; Rosenberg, Texas 77471; USA  
+1 281 633 4500 **fax** +1 281 633 4588  
**e-mail** sales@fwmurphy.com

**MURPHY DE MEXICO, S.A. DE C.V.**  
Blvd. Antonio Rocha Cordero 300, Fracción del Aguaje  
San Luis Potosí, S.L.P.; México 78384  
+52 444 8206264 **fax** +52 444 8206336  
Villahermosa Office +52 993 3162117  
**e-mail** ventas@murphymex.com.mx  
www.murphymex.com.mx

**FRANK W. MURPHY, LTD.**  
Church Rd.; Laverstock, Salisbury SP1 1QZ; U.K.  
+44 1722 410055 **fax** +44 1722 410088  
**e-mail** sales@fwmurphy.co.uk  
www.fwmurphy.co.uk

**MURPHY SWITCH OF CALIFORNIA**  
41343 12th Street West  
Palmdale, California 93551-1442; USA  
+1 661 272 4700 **fax** +1 661 947 7570  
**e-mail** sales@murphyswitch.com  
www.murphyswitch.com

**MACQUARRIE CORPORATION**  
1620 Hume Highway  
Campbellfield, Vic 3061; Australia  
+61 3 9358 5555 **fax** +61 3 9358 5558  
**e-mail** murphy@macquarrie.com.au



In order to consistently bring you the highest quality, full featured products, we reserve the right to change our specifications and designs at any time.